

Name: \_\_\_\_\_ Date: \_\_\_\_\_

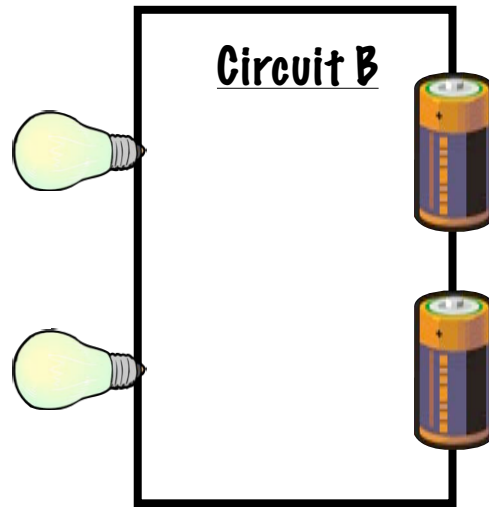
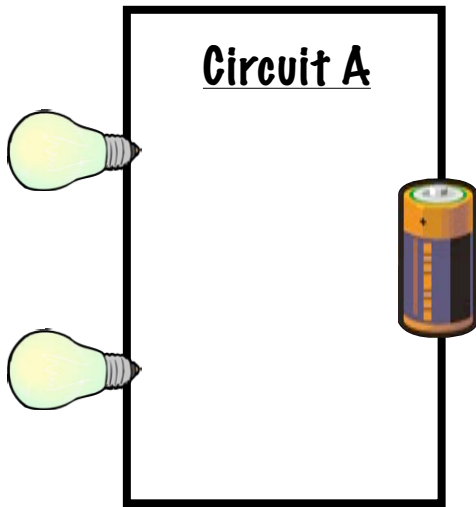
Which of these two circuits will have the brightest bulbs and why?

---

---

---

---



Which of these two circuits will have the brightest bulbs and why?

---

---

---

---

